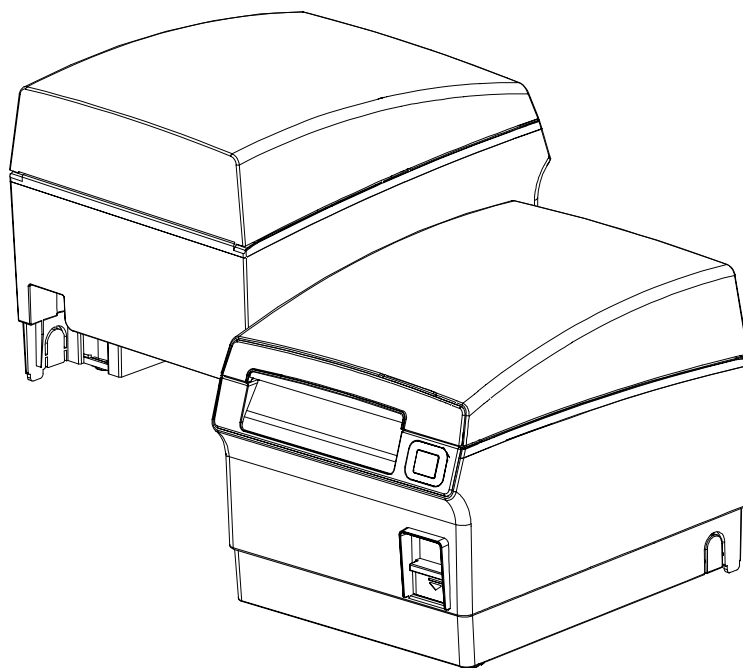


**BIXOLON®**

**User's Manual**  
**SRP-F310/312**

---

**Front Exit Thermal Printer**  
**Rev. 1.00**



<http://www.bixolon.com>

**■ Table of Contents**

**1. Setting Up the Printer ..... 7**

- 1-1 Unpacking..... 7
- 1-2 Connecting the Cables ..... 8
  - 1-2-1 Serial Interface (RS-232C) ..... 8
  - 1-2-2 Parallel Interface (IEEE1284) ..... 9
  - 1-2-3 USB Interface ..... 10
- 1-3 Connecting the Drawer ..... 10
- 1-4 Setting the Dip Switches..... 11
  - 1-4-1 Serial Interface ..... 11
  - 1-4-2 Parallel & USB Interface ..... 11
- 1-5 Installing or Replacing the Paper Roll..... 12
- 1-6 Adjustments and Settings ..... 14
- 1-7 Using the Printer ..... 14
- 1-8 Connecting the computer..... 15
- 1-9 Connecting the Power Supply ..... 15

**2. Self Test..... 16**

**3. Hexadecimal Dumping ..... 17**

**4. Specification ..... 18**

**5. Appendix ..... 19**

- 5-1 Cleaning Printer ..... 19

This is a “Table of Contents preview” for quality assurance

The full manual can be found at <http://the-checkout-tech.com/estore/catalog/>

We also offer free downloads, a free keyboard layout designer, cable diagrams, free help and support.

<http://the-checkout-tech.com> : *the biggest supplier of cash register and scale manuals on the net*